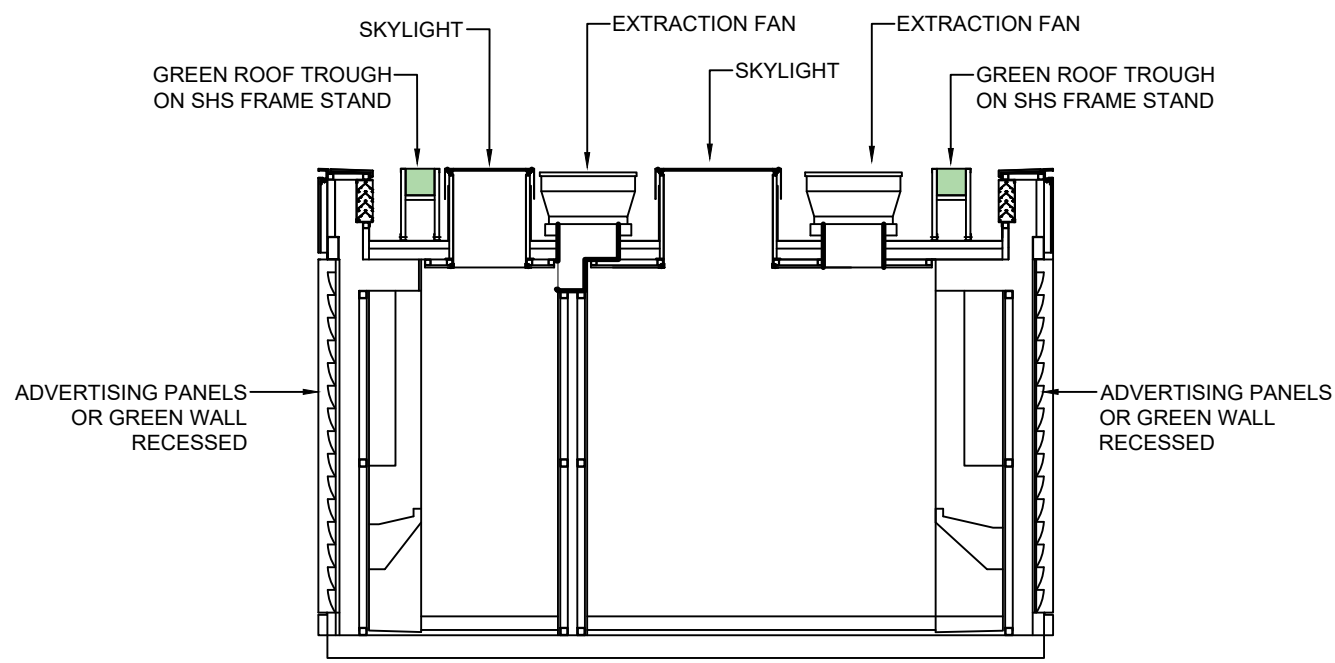


PLANTBOXES ON ROOF WITHIN PARAPET

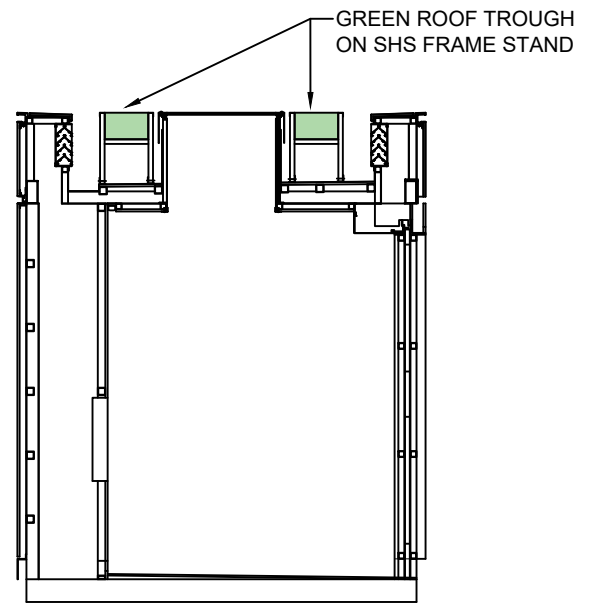
### PLAN VIEW

Scale 1:50



### SECTION A-A

Scale 1:50



### SECTION B-B

Scale 1:50

0 10 20 30 40  
DO NOT SCALE FROM THESE DRAWINGS

No.	Revision	Date
A	ISSUED FOR DA	7.12.21

**pureablu**  
complete abluion solutions

T: (02) 6772 3810  
F: (02) 6772 5723  
PO Box 5002  
Armidale NSW 2350

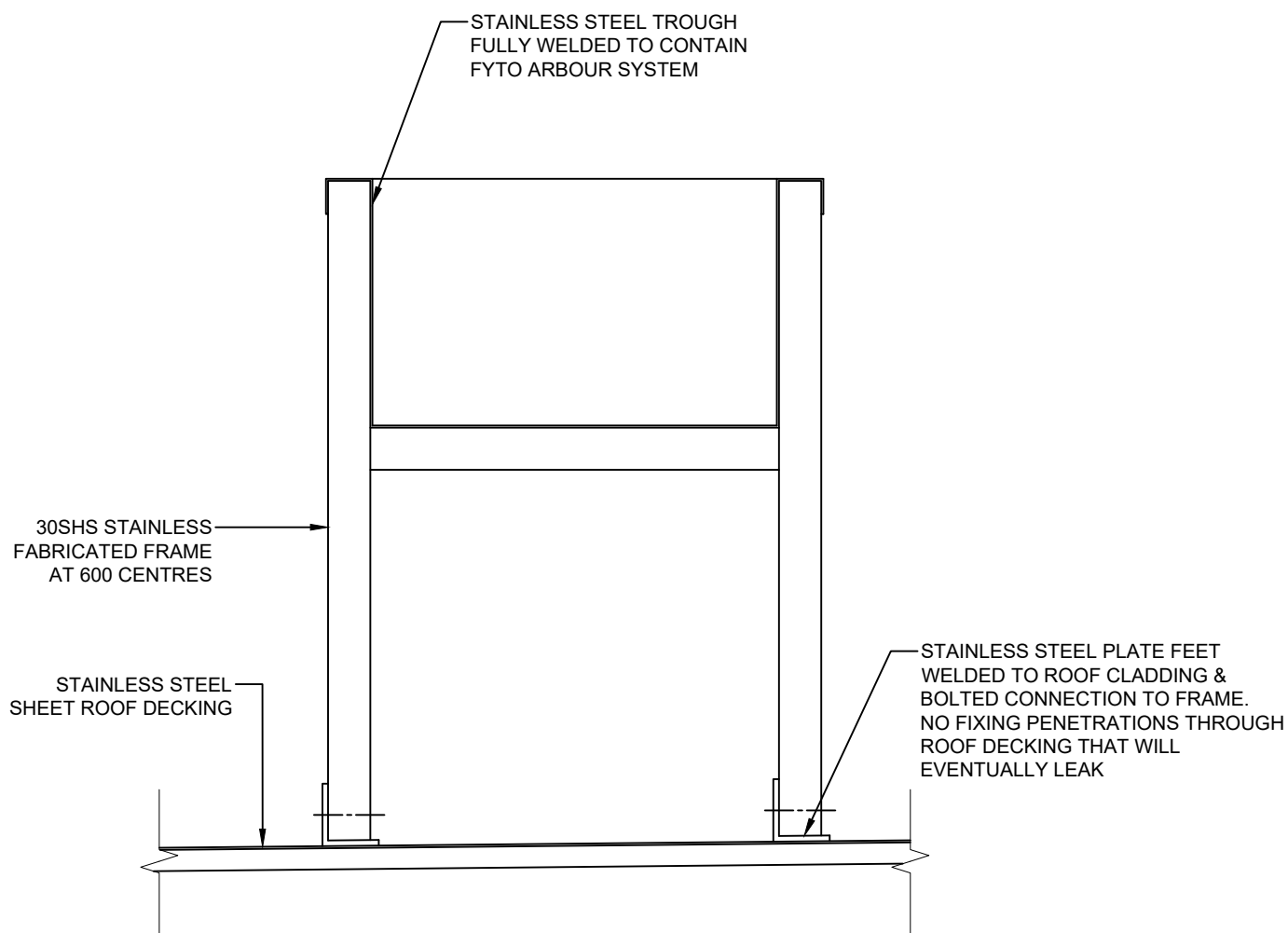
Copyright Reserved: This drawing is the property of Fabranamics and is subject to return upon demand. It is submitted for use only in connection with proposals or contracts of this organisation. Upon the express condition that it is not to be used directly or indirectly in any way detrimental to the interests of Fabranamics.

Project  
**CITY OF SYDNEY  
NEW APT**

Drawing Title  
**APT GREEN ROOF & WALL  
DETAILS**

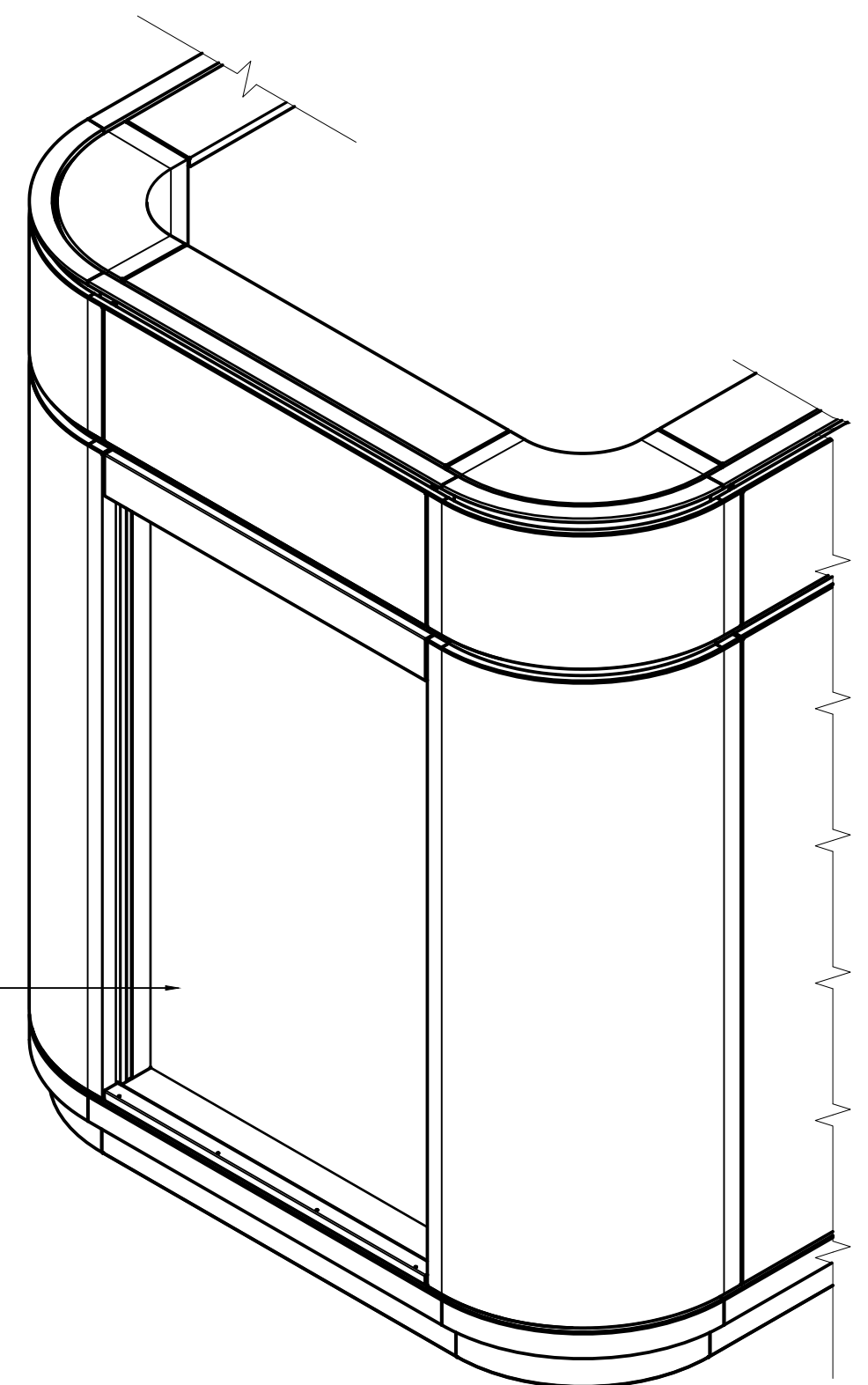
Designed	Drawn	Date
-	JW	7.12.21
Scale	CAD File	
N/A	N/A	
Project No.	Drawing No.	Revision
<b>APT2</b>	<b>G1</b>	<b>A</b>

CAD - DO NOT AMEND MANUALLY



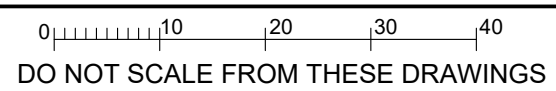
**TYPICAL GREEN ROOF STRUCTURE & ROOF CONNECTION DETAIL**

Scale 1:5



**TYPICAL RECESS DETAIL FOR DISPLAY SCREENS & GREEN WALL**

Scale 1:20



No.	Revision	Date
A	ISSUED FOR DA	7.12.21

CAD - DO NOT AMEND MANUALLY

**pureablu**  
complete abluion solutions

T: (02) 6772 3810  
F: (02) 6772 5723  
PO Box 5002  
Armidale NSW 2350

Copyright Reserved: This drawing is the property of Fabranamics and is subject to return upon demand. It is submitted for use only in connection with proposals or contracts of this organisation. Upon the express condition that it is not to be used directly or indirectly in any way detrimental to the interests of Fabranamics.

Project

**CITY OF SYDNEY  
NEW APT**

Drawing Title

**APT GREEN ROOF & WALL  
DETAILS**

Designed	Drawn	Date
-	JW	7.12.21
Scale	CAD File	
N/A	N/A	
Project No.	Drawing No.	Revision
<b>APT2</b>	<b>G2</b>	<b>A</b>