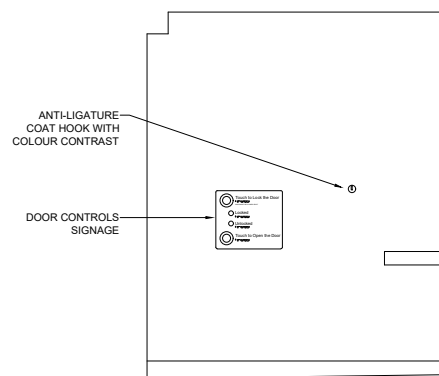


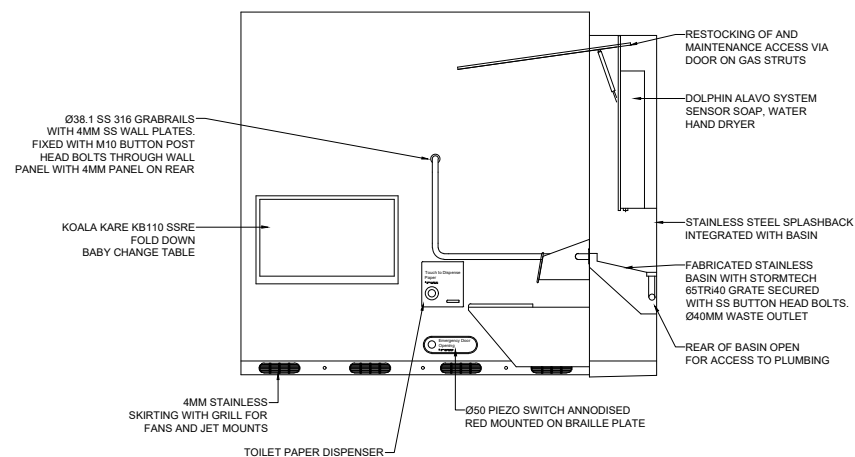
ACCESSIBLE BOOTH PLAN

Scale 1:50



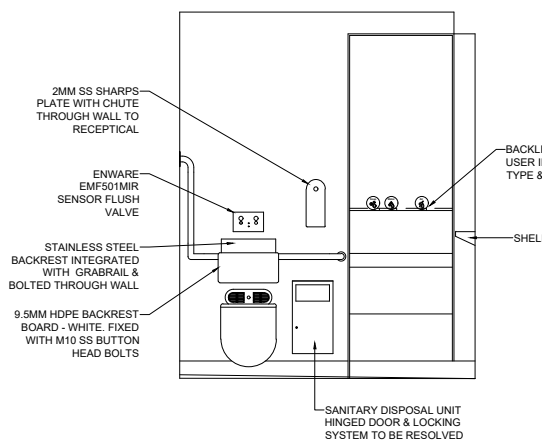
SECTION C

Scale 1:50



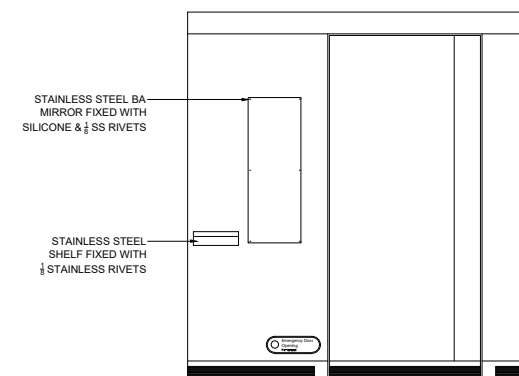
SECTION A

Scale 1:50



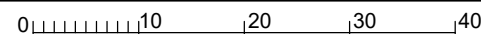
SECTION B

Scale 1:50



SECTION D

Scale 1:50



DO NOT SCALE FROM THESE DRAWINGS



T: (02) 6772 3810
F: (02) 6772 5723
PO Box 5002
Armidale NSW 2350

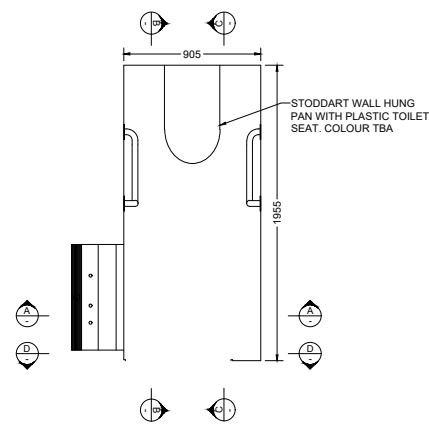
Copyright Reserved: This drawing is the property of Fabranamics and is subject to return upon demand. It is submitted for use only in connection with proposals or contracts of this organisation. Upon the express condition that it is not to be used directly or indirectly in any way detrimental to the interests of Fabranamics.

| | |
|---------|------|
| Project | APT2 |
|---------|------|

| | |
|---------------|--------------------------------------|
| Drawing Title | INTERNAL DETAILS ACCESSIBLE BOOTH |
|---------------|--------------------------------------|

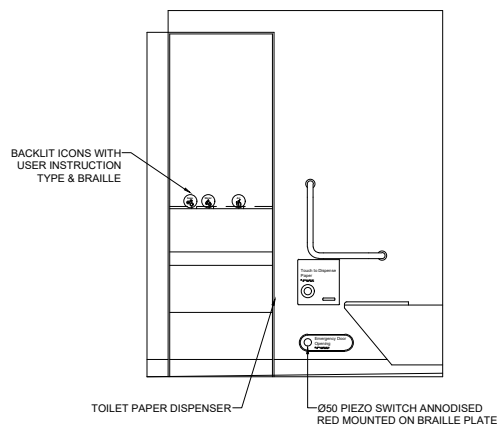
| | | |
|-------------|-------------|----------|
| Designed | Drawn | Date |
| - | JW | 10.09.21 |
| Scale | CAD File | |
| N/A | N/A | |
| Project No. | Drawing No. | Revision |
| 0000 | IN01 | B |

| | | |
|-----------------------------|-------------------|----------|
| No. | Revision | Date |
| B | ISSUED FOR REVIEW | 10.09.21 |
| A | ISSUED FOR REVIEW | 18.08.21 |
| CAD - DO NOT AMEND MANUALLY | | |



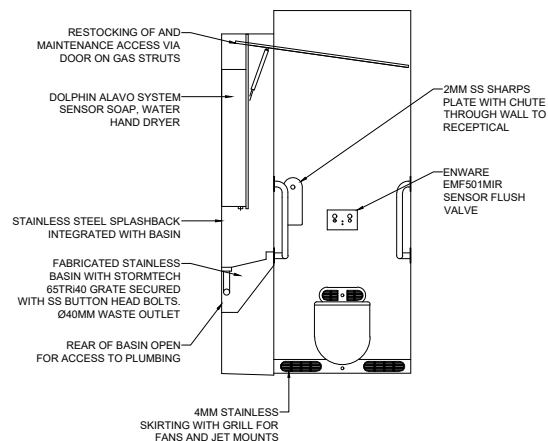
ACCESSIBLE BOOTH PLAN

Scale 1:50



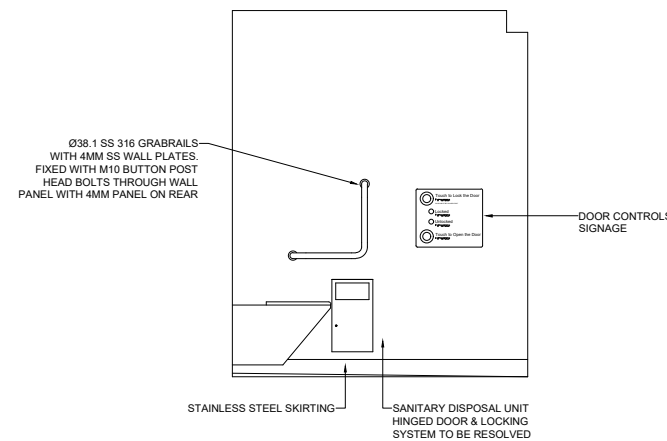
SECTION C

Scale 1:50



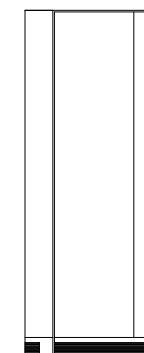
SECTION A

Scale 1:50



SECTION B

Scale 1:50



SECTION D

Scale 1:50

0 10 20 30 40
DO NOT SCALE FROM THESE DRAWINGS

| | | |
|-----|-------------------|----------|
| No. | Revision | Date |
| B | ISSUED FOR REVIEW | 10.09.21 |
| A | ISSUED FOR REVIEW | 18.08.21 |

CAD - DO NOT AMEND MANUALLY

pureablu
complete abluion solutions

T: (02) 6772 3810
F: (02) 6772 5723
PO Box 5002
Armidale NSW 2350

Copyright Reserved: This drawing is the property of Fabranamics and is subject to return upon demand. It is submitted for use only in connection with proposals or contracts of this organisation. Upon the express condition that it is not to be used directly or indirectly in any way detrimental to the interests of Fabranamics.

Project
APT2

Drawing Title
**INTERNAL DETAILS
AMBULANT BOOTH**

| | | |
|-------------|-------------|----------|
| Designed | Drawn | Date |
| - | JW | 10.09.21 |
| Scale | CAD File | |
| N/A | N/A | |
| Project No. | Drawing No. | Revision |
| 0000 | IN02 | B |